

INCREASES THE CONCENTRATION OF HYDROGEN

Study conducted by the Japan University of Shitama by Professor Hatana Gyazuki.

DRINK 1.5 LITERS OF HYDROGENATED WATER PROVIDES AN ANTIOXIDANT POWER EQUIVALENT TO CONSUMING:

38



CARROTS

716



BANANAS

516



APPLES

Jorge Fernández:

“STAY YOUNG AND HEALTHY WITH”
DETOX₂
hydrogenwater



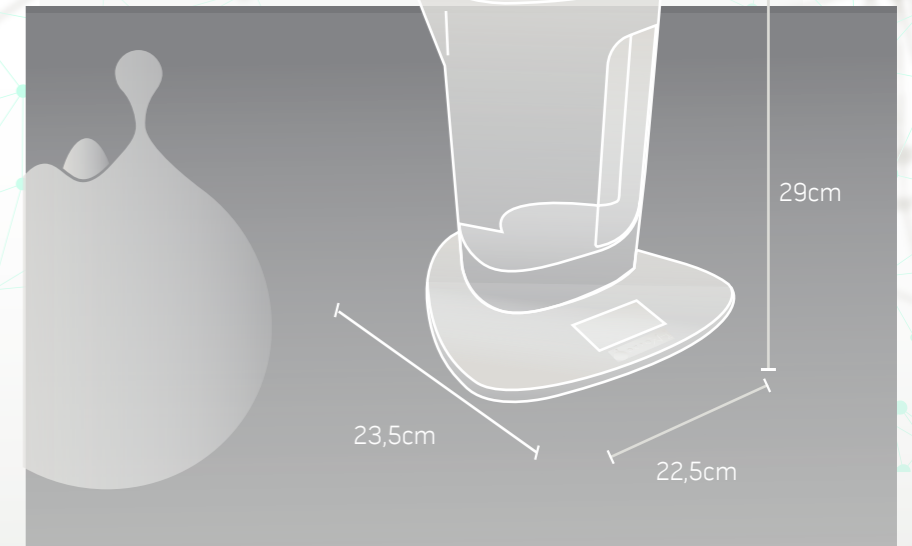
DETOX₂
hydrogenwater

The best way to eliminate toxins



DATA SHEET

Dimensions (AxBxC):	23.5cm x 22.5cm x 29cm
Electrical power supply:	AC (100-240)
Working temperature (min. - max.):	3°C~40°C~15°HF
Hardness (max):TDS (min - max):	10ppm ~ 300ppm
ORP (min - max):	-200mV ~ -600mV*
Hydrogen concentration:	800ppb ~ 1200ppb*
Jug capacity:	1.5 Liters
Working time:	10 / 15 / 20 minutes
Accessories:	Body, Jug, Electrical adapter.



WHAT IS HYDROGEN?

Hydrogen is a naturally occurring chemical element. It is the most abundant in the Universe. Hydrogen is quite common in nature due to its combination with other elements such as oxygen, carbon or nitrogen (it forms part of water, the human body, animal and plant organisms, etc.).

Hydrogen in water can be increased by mechanical means, and its presence produces beneficial effects on our health.



According to studies, the intake of hydrogenated water produces benefits and combats or reduces diseases such as:

- Anti-aging
- Cystitis
- Fibrogenesis
- Fight endotoxins
- Cell cleaning after smoke inhalation
- Help in hyperlexia
- Periodontitis
- Gastric ulcer
- Ulcerative colitis
- Erectile dysfunction
- Osteoporosis
- Muscular fatigue
- Metabolic acidosis
- Asthma
- Neonatal hypoxia
- Carbon monoxide poisoning
- Sperm motility
- Fibromyalgia

The best way to eliminate toxins



- LARGE CAPACITY PORTABLE EQUIPMENT
- HIGH POWER OF HYDROGEN PRODUCTION
- POWERFUL ANTI-AGING
- REMOVAL OF FREE RADICALS
- STAY YOUNG AND HEALTHY

1,5L



The cause of aging is oxidation, produced by the alteration of free radicals.

The daily intake of hydrogenated water combats anti-aging.

REDUCTION (ORP) OF WATER

Water with a positive value in ORP oxidizes our body, while living water (with a negative value in ORP) has the potential to reduce it, they are antioxidants.

In this way, DETOX H2 has the ability to generate a negative charge in the water, pronouncing a high antioxidant level.

Hydrogenated water can have an "antioxidant potential" greater than -550mv



FUNCTION

- **Cleaning:** This cleaning cycle lasts 8 min.
- **TIMER ACCORDING TO MODE**
- **THREE MODES OF HYDROGEN GENERATION**
 - M1: will generate hydrogen for 10 min, for a quantity of 0.5L.
 - M2: will generate hydrogen for 15 min, for a quantity of 1L.
 - M3: will generate hydrogen for 20 min, for a quantity of 1.5L.